



Contents

Upgrading from older versions	2
What's New	3
General Enhancements	3
Reports – Preview, Export, Email	3
Reports – Shape Outline Graphics	3
Reports – Delivery Notes	4
Multiline Text	5
Enhancement to Options	5
Production Scheduling	5
Enhancement to Products	5
Windowmaker SQL	5
Issues Fixed	5



Upgrading from older versions

When upgrading please also refer to below documents for changes since your current version:

If your current version is	What's New	Release Notes
Windowmaker 2020 (v8.x)	https://windowmaker.com/en/pdf/windowmaker-2020-r8.x-release-document.pdf	
Windowmaker 2018 (v7.x)	www.windowmaker.com/EN/PDF/Windowmaker%202018%20(v7.x)%20What's%20New.pdf	www.windowmaker.com/EN/PDF/Windowmaker%202018%20(v7.x)%20Release%20Notes.pdf
Windowmaker 2012 (v6.x)	www.windowmaker.com/EN/PDF/Windowmaker%202012%20(v6.x)%20What's%20New.pdf	www.windowmaker.com/EN/PDF/Windowmaker%202012%20(v6.x)%20Release%20Notes.pdf

Windowmaker 2021 R1

What's New

This section lists important features/updates introduced in this release.

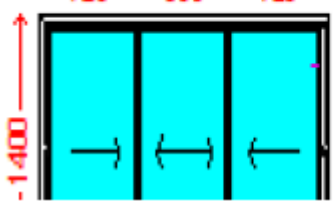
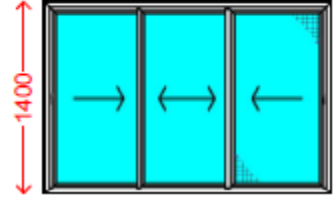
General Enhancements

Reports – Preview, Export, Email

We now use the Microsoft Print to PDF printer at all places where Crystal Report's default PDF generator was used. These are:

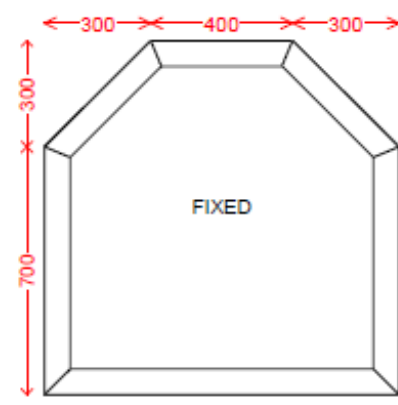
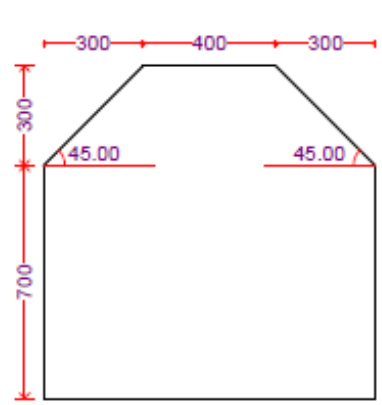
1. Preview
2. Email as PDF attachment
3. Export as PDF
4. Save copy to History

In certain situations, the sales line graphics were getting distorted when using Crystal Report's PDF generator.

Before Upgrade	After Upgrade
<p>0003 1 2100w x 1400h 3T XIXIX_ Slider System 6mm Toughened</p> 	<p>0003 1 2100w x 1400h 3T XIXIX_ Slider System 6mm Toughened</p> 

Reports – Shape Outline Graphics

It is now possible to include Shape Outline Graphics, as seen on Situation page, in reports if required. For this use the WMSalesLinePlan1 UDF.

Shape Elevation Graphics	Shape Outline Graphics
 <p>Viewed from Outside</p>	


Reports – Delivery Notes

The Delivery Notes report now has a choice to exclude graphics. This allows to get a compact report, thereby helping to save paper.

The report now also:

1. Allows to optionally include System and Glazing information
2. Allows to select Viewed from side for the graphics
3. Includes a section to write notes

Super Quality Windows
17 Brighton Road,
Surbiton, Surrey,
KT6 5LR, UK



Delivery Notes




Deliver to					
Salina Taylor					
3 Queens Walk, Reading, RG1 7QF UK Tel. 8754 123456 Email Jam					
Order No.	Delivery Date	Sales Person			
J00012	01-06-2027	Aron +44 (0) 20 8390 2355 sales@sqwindows.com			
Line	Details				Qty
0001	W1 Hall	French Window LiSlv.RT/T	1450w x 1200h	4-20-4 Clr	1
0002	W2 Hall	French Window LiSlv.RT/T	1450w x 1200h	4-20-4 Clr	1
0003	W3 Hall	French Window LiSlv.RT/T	1450w x 1200h	4-20-4 Clr	1
0004	W4 Bedroom 1	Casement L.T/F.R	2000w x 1200h	4-20-4 Clr	1
0005	W5 Bedroom 1	Casement L.T/F.R	2000w x 1200h	4-20-4 Clr	1
0006	W6 Bedroom 2	Casement L.T/F.R	2000w x 1200h	4-20-4 Clr	1
0007	W7 Bedroom 2	Casement L.T/F.R	2000w x 1200h	4-20-4 Clr	1
0008	W8 Kitchen	Cmn't.Fix	1400w x 1200h	(G1)4-20-4 Clr (G2)Ex-Fan In Frame	1
0009	D1 Hall	French Door L.RDoSlv	1900w x 2150h	4-20-4 Clr Tuf K	1
0010	D2 Bedroom 1	Door F/L= In	950w x 2450h	4-20-4 Clr Tuf K	1
0011	D3 Bedroom 2	Door F/L= In	950w x 2450h	4-20-4 Clr Tuf K	1
Total					11

Extras				
Description	Stock No.	Qty	Size	Units
CockspurHandle LK L	HNDL1-LH-WH	8		pcs
CockspurHandle LK R	HNDL1-RH-WH	5		pcs
DoorHandle w Key	HNDL1-WH	3		pcs
DoorHandle w/o Key	HNDL2-WH	1		pcs
Handle w Key	L Hndl-WH	3		pcs

Note

Customer

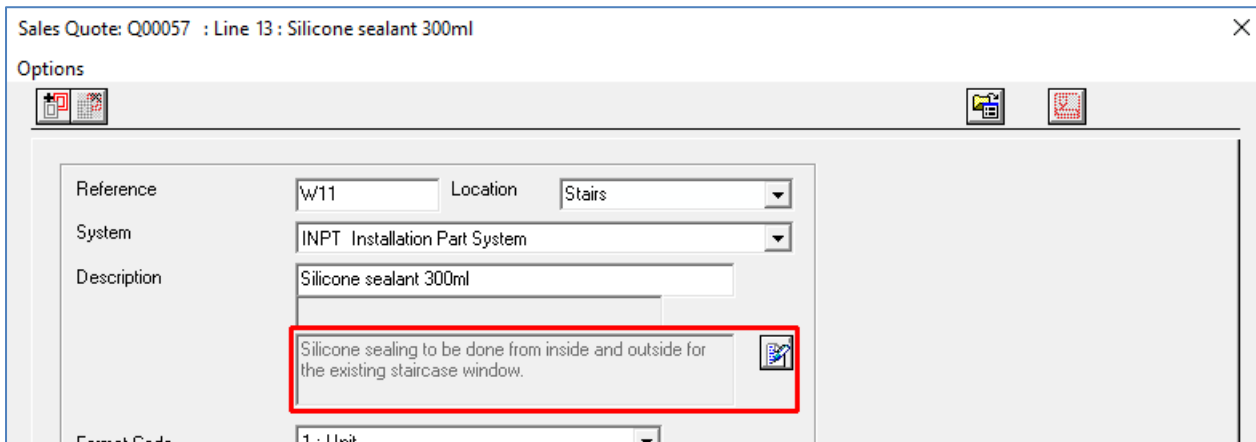
Name _____ Signature _____ Date _____

1

Multiline Text

A preview of Multiline Description is now available for +Manual Lines.



An Application Setting is now available to specify a maximum limit for Multiline Text.

1. The default value is zero, which means there is no limit. It is generally useful if such information is to be transferred to any third-party software which can only handle limited text.
2. The limit is applicable for all such multiline text fields in Sales Line e.g. Description, Production Note, Installation Note and in Sales Header e.g. document Header/Footer etc.
3. All visible and invisible characters are counted while checking the limit, including tab, space, bullet, Enter etc.
4. Font settings is now moved from Preference → Input to Application Settings → Administration: Settings

Enhancement to Options

Production Scheduling

Orders can now be scheduled in a production batch ignoring capacity requirement.

This is especially useful to schedule orders having only non-design lines, process it and run reports or link to other software. The Application Setting 'Ignore Capacity Requirement of Remakes for Production Scheduling' is no longer needed and is removed.

Enhancement to Products

Windowmaker SQL

Windowmaker now allows to delete BOM from any status higher than 'Store from' status. Earlier 'Delete from' status had to be \geq In Production. Reports requiring BOM records will continue to work as earlier, using dummy BOM.

Issues Fixed

Administration – Invoice Numbering - 5167

If Invoice numbers were rolled back to a previous number, the next number calculation generated duplicate numbers, already used. This is now corrected to jump all existing numbers and generate the next unused number.

Manufacturing – Change Schedule - 4572

The problem with user being unable to 'Move' batch contents across sites due to incorrect or unnecessary stock checks is now resolved.

Order Entry – Special Terms – 8932

The problem with Special Terms for restricting Systems not working correctly when processing batch with a mix of different disallowed systems, resulting in error while processing the batch, is now rectified.

Setup – Matrices – 5669

The problem with answers of 'Unit' and 'Profile' type Options not displayed in Part and Cost Matrix indices is now corrected.

Setup – Parts – 1881

The Products list view now displays the text in Short and Long description fields correctly.

Setup – Saw Stations – 5219

The problem with very old data having 'Generic saw' type stations showing machine type as <None> is now resolved.

Manufacturing – Sub-batching - 8282

The problem with composite profiles consuming more slots than they require is now fixed.

Manufacturing – Process – 8460

The problem with reinforcement details missing for right and bottom sides of glass level pieces in Station Transaction is now corrected. This had resulted in incorrect Cutting List/ Labels / Machine link outputs.

Manufacturing- Link to Stock – 6557

Forced Upper casing of Stock Nos. when output in the STK file is now removed, especially relevant for users who use the 'Link to Stock' facility without any Stock records created.