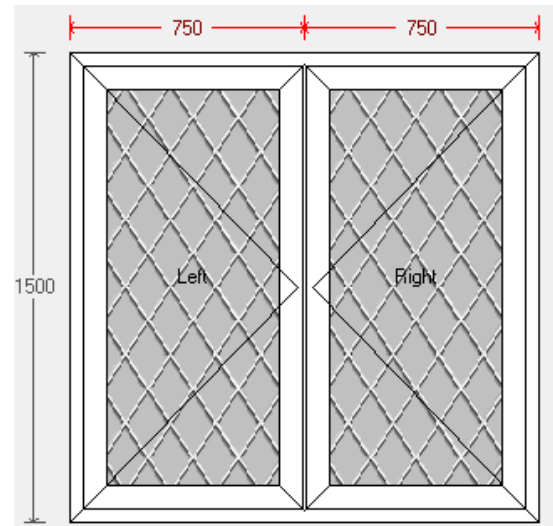
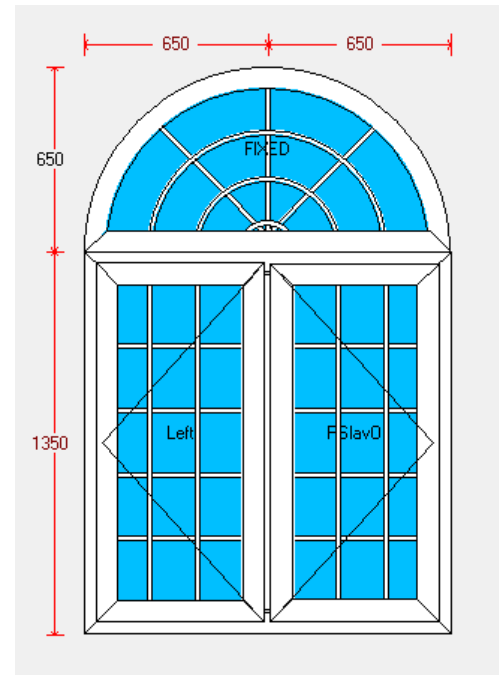
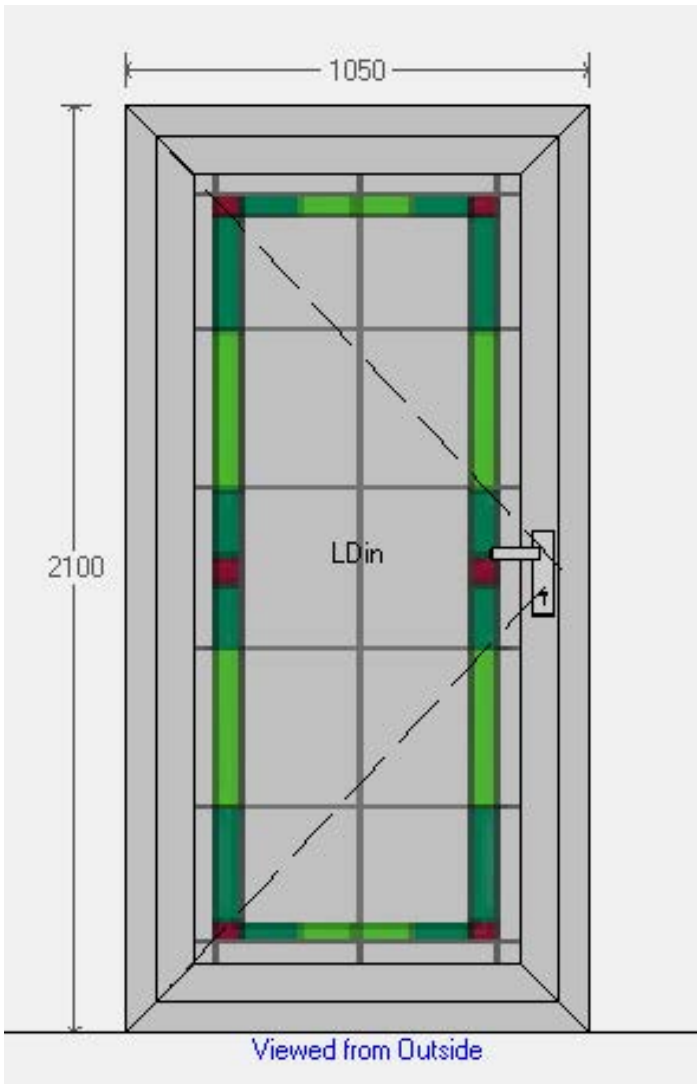
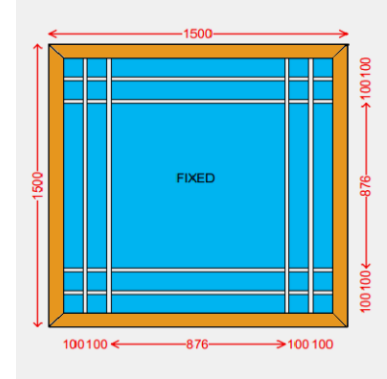
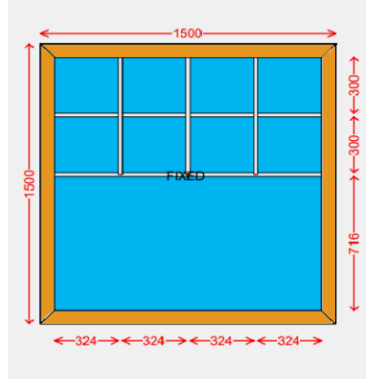
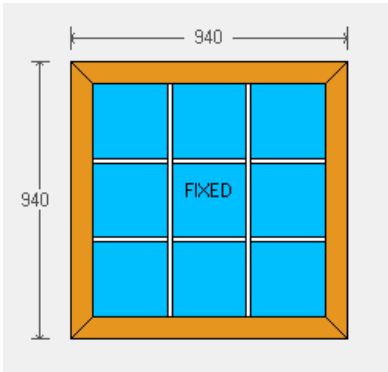


# Windowmaker Option Georgian and Leaded



## Overview: What is it about?

These options allow you to create different Georgian grids, Sunburst designs and Leaded glass patterns. An easy-to-use interface allows you to choose from wide range of options from configurable Windowmaker library



## Benefits and Features: Why use this option?

- ▲ Ease of configuring doors/windows with different Georgian grids or leaded designs
  - Choose from a range of designs available in configurable library
  - Or create a new design
  - Designs with Transoms/Mullions/Couplers are also supported
  - Additional leaded graphics and designs can be imported, and associated with glass records if required
- ▲ Time saving
  - Choose a design and specify the associated parameters
- ▲ Hassle-free calculations - the costs and BoM are generated automatically
- ▲ Work instructions for production are generated as required